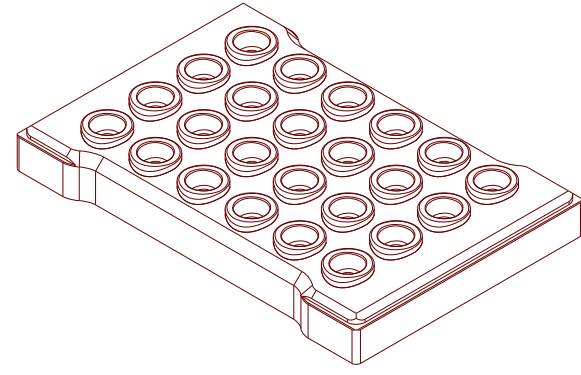
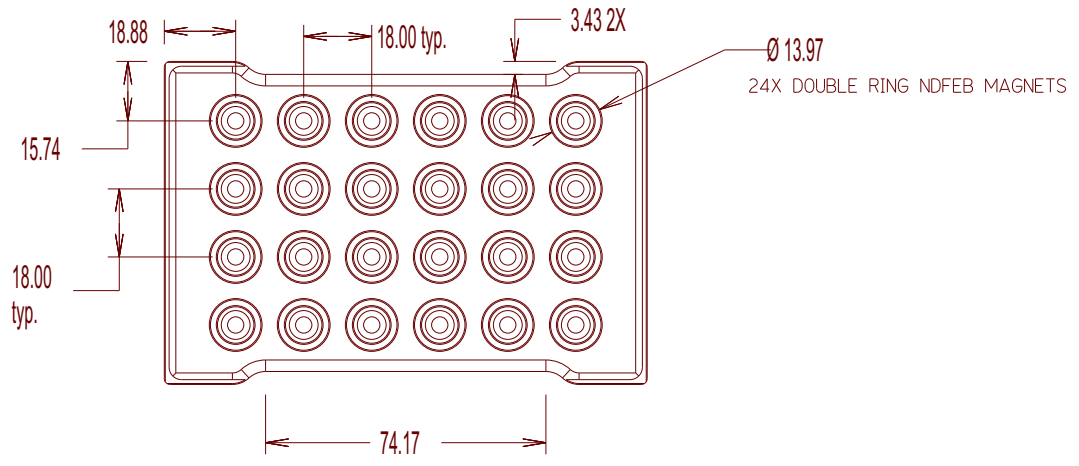
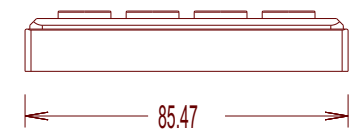
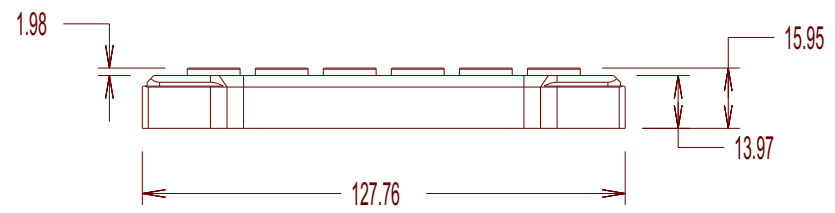


8 7 6 5 4 3 2 1

D



C



B

A

THIS DRAWING AND THE DATA HEREIN IS THE PROPERTY OF PERMAGEN LABWARE, LTD. ANY COPYING, REPRODUCTION, OR UNAUTHORIZED USE WITHOUT WRITTEN CONSENT IS FORBIDDEN.

Company: PERMAGEN LABWARE, LTD

Title: 24- WELL RING MAGNET PLATE (MSP24)

Drawn By: KAB

Sect:

Date: 04-12-16

Scale:

No: 000052

8 7 6 5 4 3 2 1