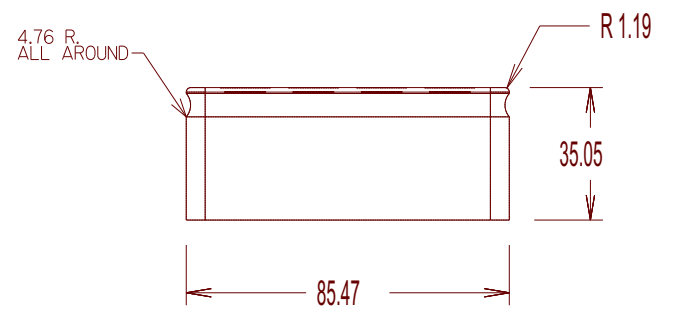
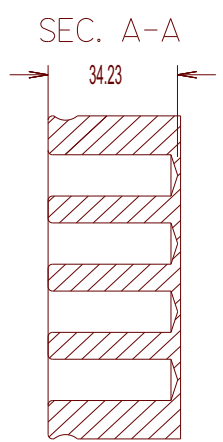
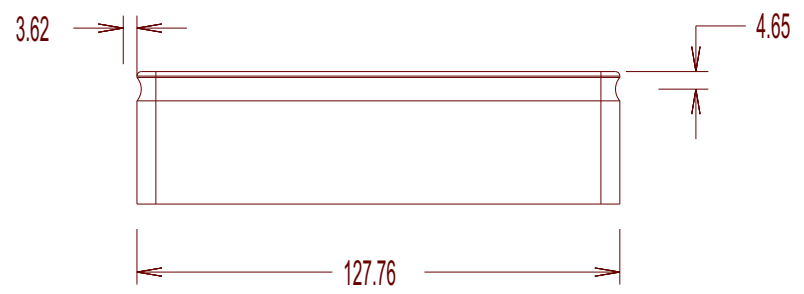
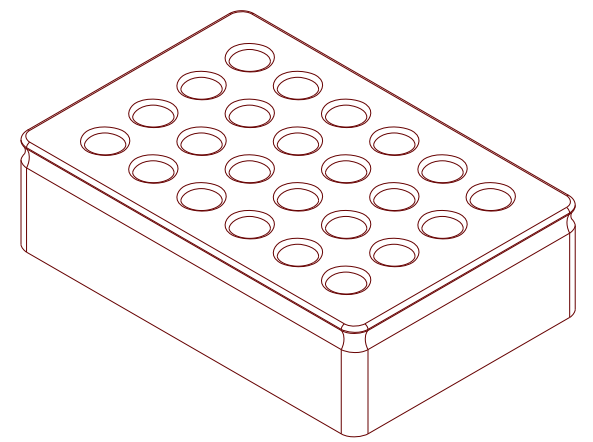


24X Ø 10.92 +.05
32.5 DEEP



Company: PERMAGEN LABWARE, LTD.			
Title: 24- TUBE CHILLER BLOCK (CB024)			
Drawn By: KAB	MATERIAL: 6061 ALUMINUM		Sect:
	FINISH: CLEAR HC ANODIZE		
Date: 05-23-15	Scale:	No: 000053	

THIS DRAWING AND THE DATA HEREIN IS THE PROPERTY OF PERMAGEN LABWARE, LTD. ANY COPYING, REPRODUCTION, OR UNAUTHORIZED USE WITHOUT WRITTEN CONSENT IS FORBIDDEN.